

**Forced convection unit air cooler - flatline**

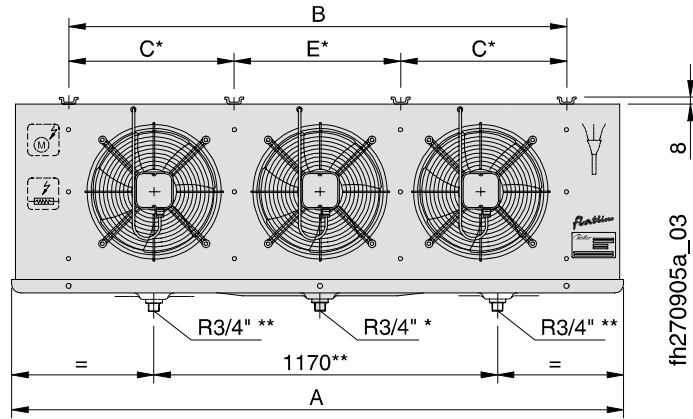
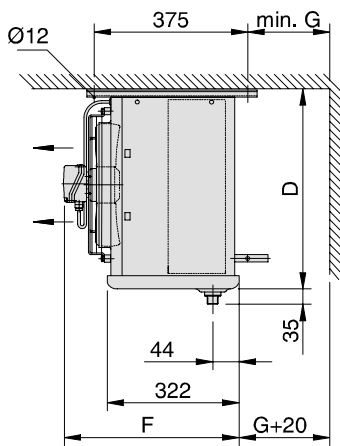
**FHVT 613**

Place of cooling:

Walter Roller GmbH & Co.  
Lindenstraße 27-31  
D - 70839 Gerlingen  
Phone: +49 (0)7156 2001 - 0  
Fax.: +49 (0)7156 2001 26



Version 5.5.2  
18.11.2004



\* FHV/T .03/ .13

\*\* FHV/T .23

**Dimensions, Tube volumes, Weights**

Dimensions								Tube vol. [dm³]	Weight [kg]	Connections	
A [mm]	B [mm]	C [mm]	D [mm]	E [mm]	F [mm]	G [mm]	H [mm]			Inlet Ø [mm]	Outlet Ø [mm]
1486	1204		460		430	250		6.20	43	12.0 #	22.0

#: Multiple injection with Schrader valve at the outlet

**Electrical loads**

No.	Blade Ø [mm]	Power supply [ V, Hz ]	Input capacity [W]	Current [ A ]	No. of re- volutions [ min <sup>-1</sup> ]	Electric defrost heating			El. aircondition	
						Coil [W]	Drip [W]	Total [W]	[W]	Total [W]
3	300 S	~230 V 50/60 Hz	80/112	0,36/0,48	1340/1460	3x1030	1x1030	4120		

**Capacity data**

	Refrigerant	Capacity P <sub>e</sub>	Evapora- tion t <sub>e</sub>	Air inlet t <sub>A1</sub>	DT1	Sur- face	Air capacity	Air throw	Sound power	Fin spacing
Result	R404A	4.64	-6.0	0.0	6.0	20.7	4680	10	73	6.0

**Prices and accessories**

FHVT 613	

Price per unit:

inkl. mat. surcharges, without VAT

